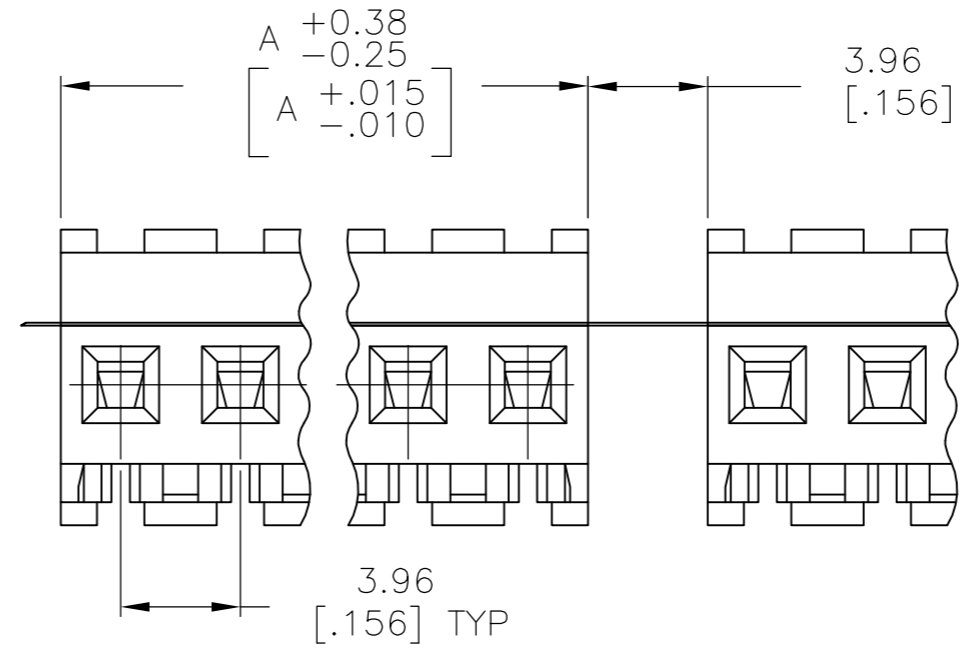
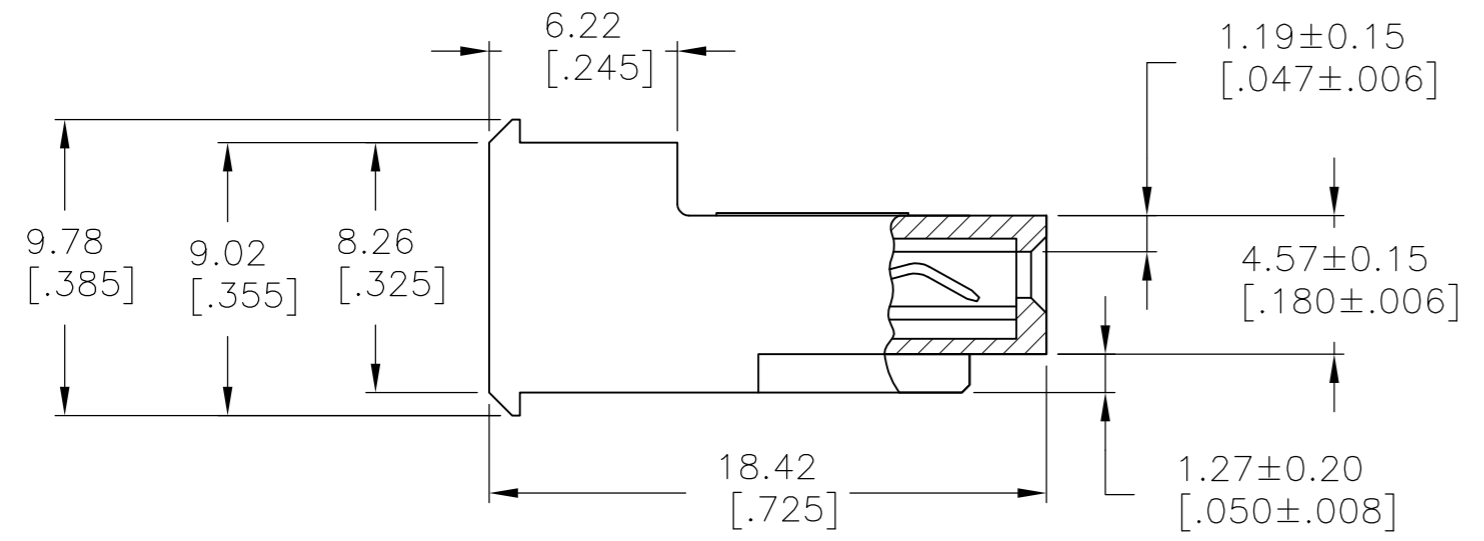
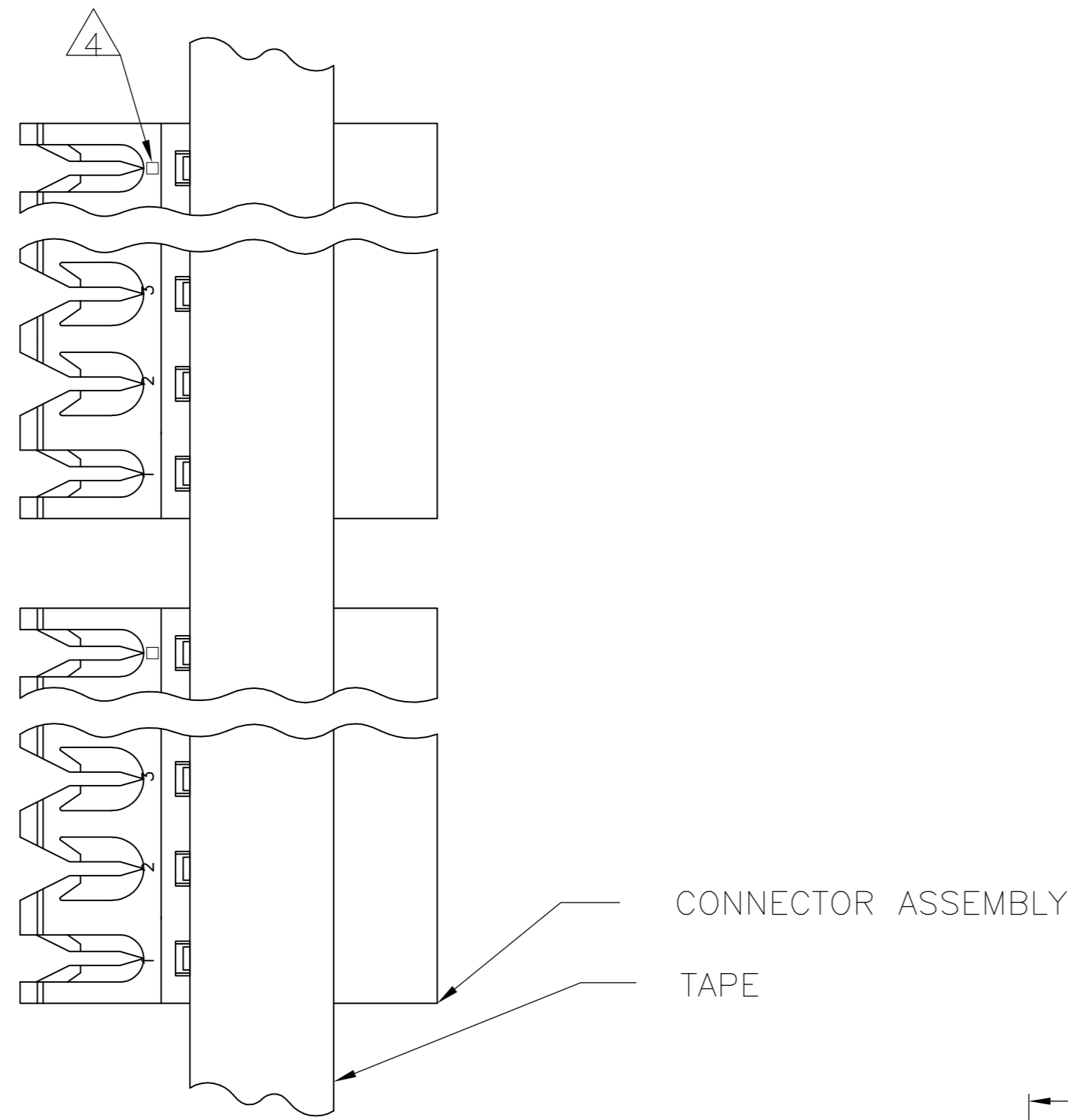


THIS DRAWING IS UNPUBLISHED. RELEASED FOR PUBLICATION
 © COPYRIGHT BY TYCO ELECTRONICS CORPORATION. ALL RIGHTS RESERVED.

LOC	DIST	REVISIONS					
CM	00	P	LTR	DESCRIPTION	DATE	DWN	APVD
		G		ECO-07-012861	08JUN07	KW	DB



95.10	[3.744]	24	5-641308-4
91.14	[3.588]	23	5-641308-3
87.17	[3.432]	22	5-641308-2
83.21	[3.276]	21	5-641308-1
79.25	[3.120]	20	5-641308-0
75.29	[2.964]	19	4-641308-9
71.32	[2.808]	18	4-641308-8
67.36	[2.652]	17	4-641308-7
63.40	[2.496]	16	4-641308-6
59.44	[2.340]	15	4-641308-5
55.47	[2.184]	14	4-641308-4
51.51	[2.028]	13	4-641308-3
47.55	[1.872]	12	4-641308-2
43.59	[1.716]	11	4-641308-1
39.62	[1.560]	10	4-641308-0
35.66	[1.404]	9	3-641308-9
31.70	[1.248]	8	3-641308-8
27.74	[1.092]	7	3-641308-7
23.77	[.936]	6	3-641308-6
19.81	[.780]	5	3-641308-5
15.85	[.624]	4	3-641308-4
11.89	[.468]	3	3-641308-3
7.92	[.312]	2	3-641308-2
95.10	[3.744]	24	2-641308-4
91.14	[3.588]	23	2-641308-3
87.17	[3.432]	22	2-641308-2
83.21	[3.276]	21	2-641308-1
79.25	[3.120]	20	2-641308-0
75.29	[2.964]	19	1-641308-9
71.32	[2.808]	18	1-641308-8
67.36	[2.652]	17	1-641308-7
63.40	[2.496]	16	1-641308-6
59.44	[2.340]	15	1-641308-5
55.47	[2.184]	14	1-641308-4
51.51	[2.028]	13	1-641308-3
47.55	[1.872]	12	1-641308-2
43.59	[1.716]	11	1-641308-1
39.62	[1.560]	10	1-641308-0
35.66	[1.404]	9	641308-9
31.70	[1.248]	8	641308-8
27.74	[1.092]	7	641308-7
23.77	[.936]	6	641308-6
19.81	[.780]	5	641308-5
15.85	[.624]	4	641308-4
11.89	[.468]	3	641308-3
7.92	[.312]	2	641308-2
DIM A		NO OF CIRCUITS	PART NO

- 1 MATERIAL: CONNECTOR - NYLON UL94V-2 (RED)
 CONTACTS - 0.30[.012] THICK COPPER ALLOY
 BRIGHT TIN-LEAD 0.00203[.000080] MIN THICK
 FOR CONTACTS 641308-2 THRU 2-641308-4
 MATTE WHISKER MITIGATED TIN 0.00203[.000080] MIN
 THICKNESS OVER NICKEL UNDERPLATE FOR
 3-641308-2 THRU 5-641308-4.
- 2. CONTACTS ACCEPT 22 AWG WIRE WITH 2.41[.095] MAX INSULATION DIAMETER.
- 3. CONTACTS MUST ACCEPT 1.14±0.03 [.045±.001] SQUARE POST AND REMAIN LOCKED IN POSITION.
- 4 IDENTIFICATION NUMBER FOR LAST CIRCUIT MAY NOT APPEAR ON ALL ASSEMBLIES.
- 5. DIMENSIONS IN BRACKETS ARE IN INCHES.
- 6. HOUSING FEATURES ARE: FEED-THRU WITHOUT LOCKING RAMP.

METRIC

THIS DRAWING IS A CONTROLLED DOCUMENT.		DWN B. LEWIS 02 MAY 96	Tyco Electronics Corporation Harrisburg, Pa 17105-3608	
DIMENSIONS: mm [INCHES]		CHK R. SWING 02 MAY 96	NAME MTA-156 CONNECTOR ASSEMBLY, 22 AWG, STANDARD TAPE MOUNTED	
TOLERANCES UNLESS OTHERWISE SPECIFIED: 0 PLC ± - 1 PLC ± - 2 PLC ± - 3 PLC ± 0.13 [.005] 4 PLC ± - ANGLES ± - FINISH 1		APVD D. CLARK 02 MAY 96	DRAWING NO 108-1051	
MATERIAL 1		PRODUCT SPEC 114-1020	SIZE A2	CAGE CODE 00779
		APPLICATION SPEC 114-1020	DRAWING NO C=641308	RESTRICTED TO -
		WEIGHT -	SCALE 1:1	SHEET 1 OF 1
		CUSTOMER DRAWING	REV G	